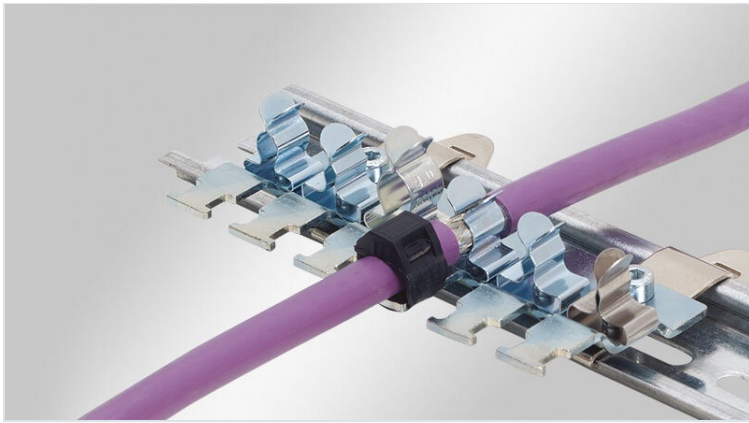


EMC clamp assembly for 35 mm top hat DIN rail, pluggable

with integrated strain relief



EMC clamp assemblies are used, where the shield of several cables must be connected to the earth potential. They are easy to use and enable effective earthing and strain relief of up to 12 cables in a small space. There are different carriers available which can be user configured with up to 12 SKL or MSKL shield clamps. The shield clamps are mounted directly on the surface of the clamp assembly which guarantees a tight fit.

The cables can be fixed via the cable jacket using cable ties. Thus strain relief in accordance with EN 62444 is achieved.

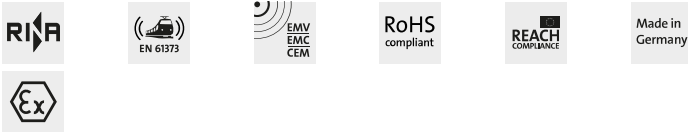
The EMC shield clamps as listed below are available to mount:

SKL 1.5-3 | SKL 3-6 | SKL 6-8 | SKL 8-11

The SKL shield clamps are assembled in a row which enables an ideal and space-saving arrangement.

The clamp assembly can be easily attached by snapping them onto 35 mm top hat DIN rails.

Configure your individual clamp assembly with the icotek EMC Configurator!



Specifications

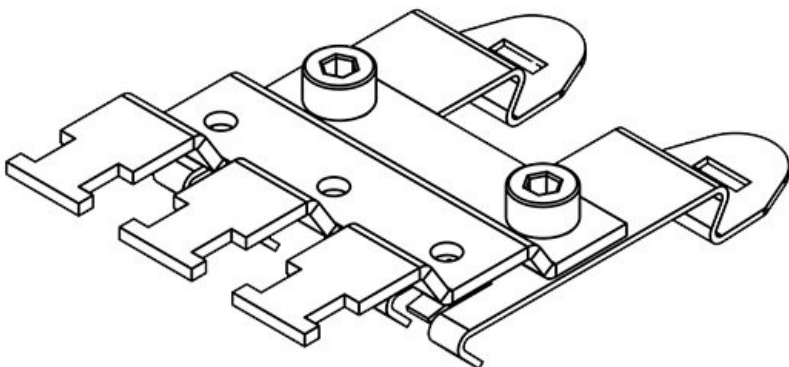
Material	Shield clamp: Spring steel, zinc plated Snap foot: Spring steel Mounting foot: Mild steel, galvanically zinc plated
Properties	vibration proof
Mounting options	Screw type mounting

Advantages & Benefits

- Large contact area
- Shield contact and strain relief separated
- Easy assembly and removal
- The spring design requires no adjustments and will permanently maintain contact to the cable shield
- Shock and vibration resistant, maintenance free
- Designed for high density applications
- Possibility to configure custom specific EMC clamp assemblies

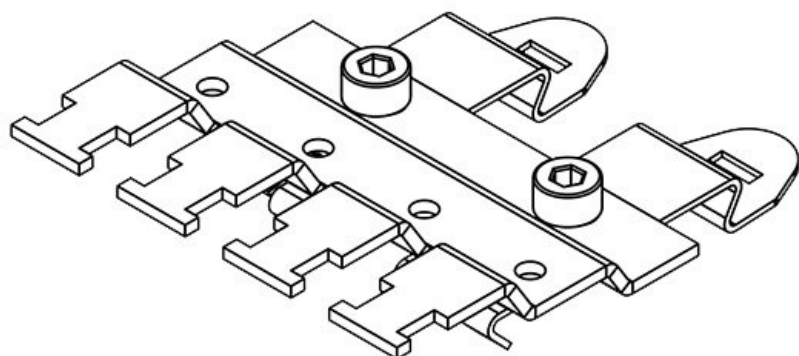
Product types & Sizes

SF|RLFZ (x3)



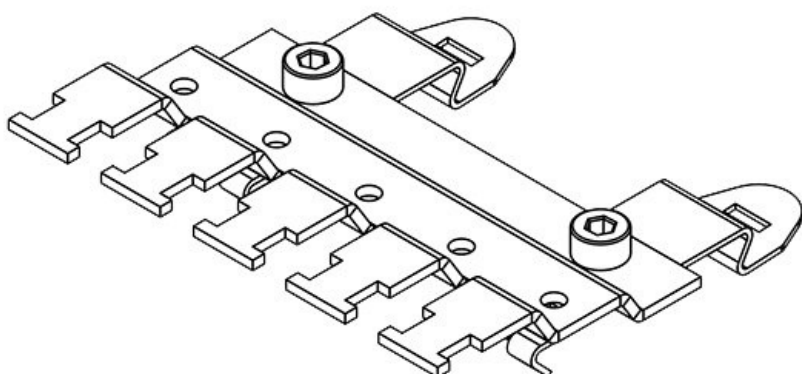
Part No.	38105	Height	15,4 mm
EAN	4251269305856		
Package quantity	1		
For no. of shield clamps	3		
For max. no. of cables	3		
Length	41,2 mm		
Width	70,7 mm		

SF|RLFZ (x4)



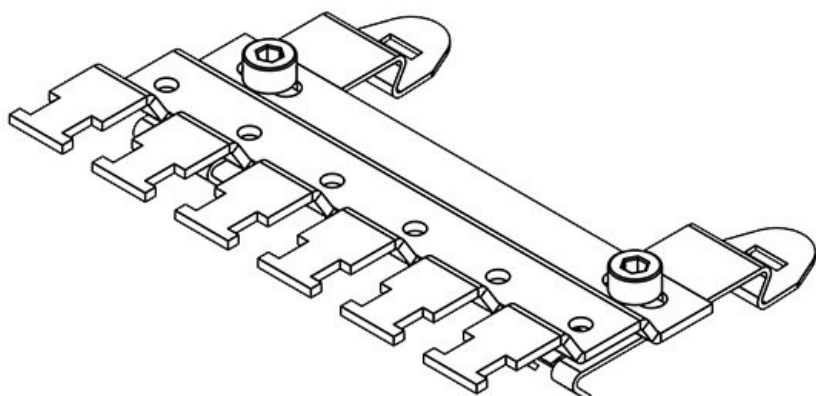
Part No. **38110** Height **15,4 mm**
EAN **4251269305**
863
Package quantity **1**
For no. of shield clamps **4**
For max. no. of cables **4**
Length **56,8 mm**
Width **70,7 mm**

SF|RLFZ (x5)



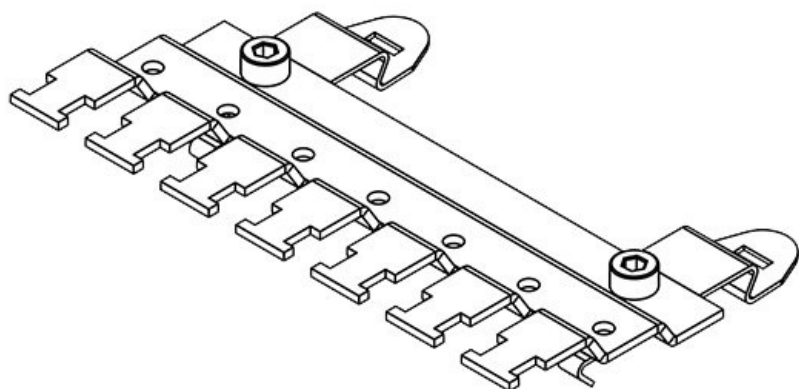
Part No. **38115** Height **15,4 mm**
EAN **4251269305**
870
Package quantity **1**
For no. of shield clamps **5**
For max. no. of cables **5**
Length **72,4 mm**
Width **70,7 mm**

SF|RLFZ (x6)



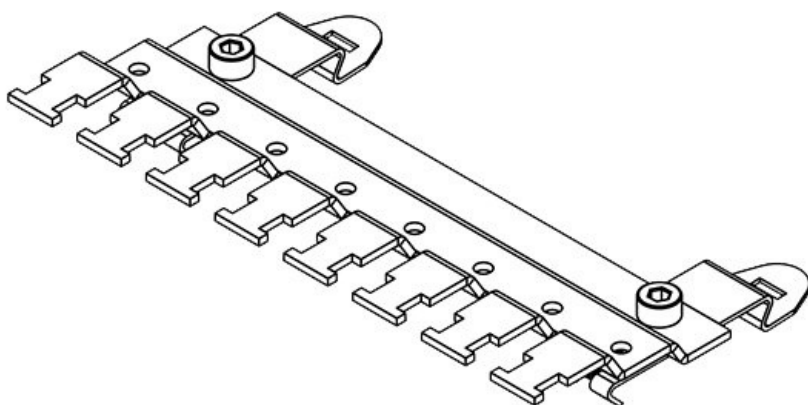
Part No. **38120** Height **15,4 mm**
EAN **4251269305**
887
Package quantity **1**
For no. of shield clamps **6**
For max. no. of cables **6**
Length **88 mm**
Width **70,7 mm**

SF|RLFZ (x7)



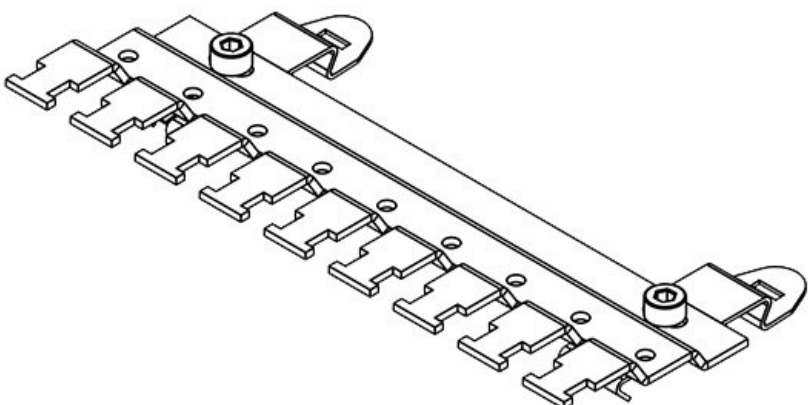
Part No. **38125** Height **15,4 mm**
EAN **4251269305**
894
Package quantity **1**
For no. of shield clamps **7**
For max. no. of cables **7**
Length **103,6 mm**
Width **70,7 mm**

SF|RLFZ (x8)



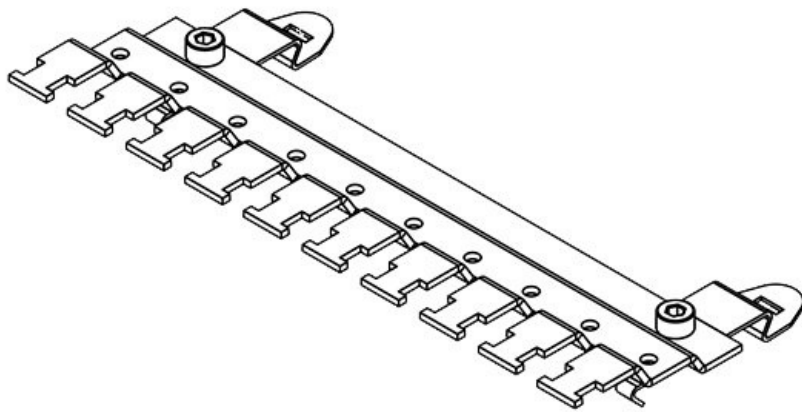
Part No. **38130** Height **15,4 mm**
EAN **4251269305**
900
Package quantity **1**
For no. of shield clamps **8**
For max. no. of cables **8**
Length **119,2 mm**
Width **70,7 mm**

SF|RLFZ (x9)



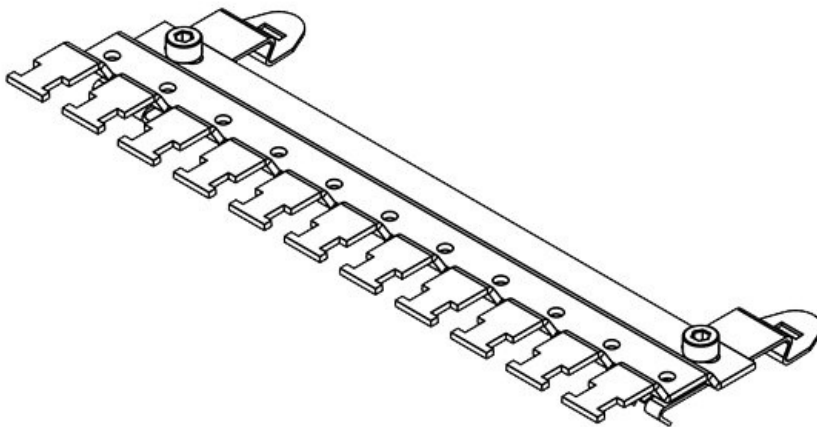
Part No. **38135** Height **15,4 mm**
EAN **4251269305**
917
Package quantity **1**
For no. of shield clamps **9**
For max. no. of cables **9**
Length **134,8 mm**
Width **70,7 mm**

SF|RLFZ (x10)



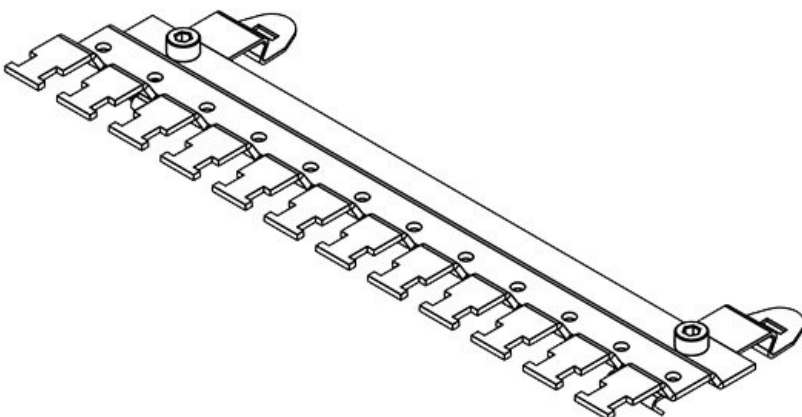
Part No. **38140** Height **15,4 mm**
EAN **4251269305**
924
Package quantity **1**
For no. of shield clamps **10**
For max. no. of cables **10**
Length **150,4 mm**
Width **70,7 mm**

SF|RLFZ (x11)



Part No. **38145** Height **15,4 mm**
EAN **4251269305**
931
Package quantity **1**
For no. of shield clamps **11**
For max. no. of cables **11**
Length **166 mm**
Width **70,7 mm**

SF|RLFZ (x12)



Part No. **38150** Height **15,4 mm**
EAN **4251269305**
948
Package quantity **1**
For no. of shield clamps **12**
For max. no. of cables **12**
Length **181,6 mm**
Width **70,7 mm**

